

# Model PT-20A Power Conditioner

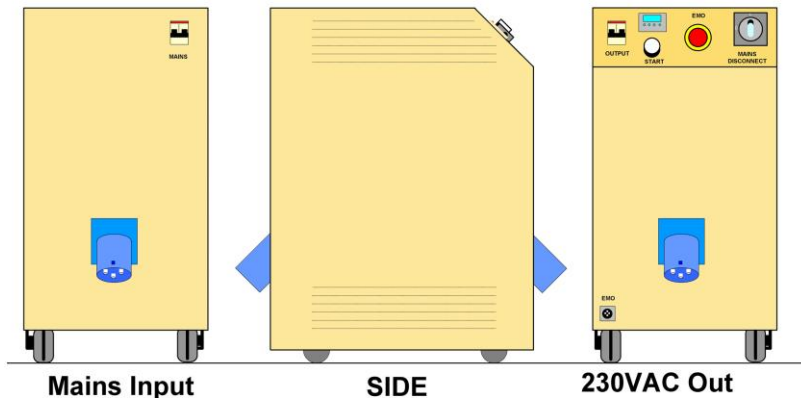
## PT-20A Description

The Model PT-20A is a power conditioner intended for applications where a 230 Vrms secondary is needed for a Mains voltage ranging from 200 to 240 Vrms.

A 4.6 kVA isolation transformer provides multiple taps on the primary for converting the Mains voltage levels into 230 Vrms secondary that can provide up to 20 amps.

The secondary circuit provides an Emergency Off function and a EMO circuit connector for driving your machines EMO circuit.

## Typical Configuration



## Features Available

- Primary circuit breaker 30 k AIC.
- Mains disconnect device with Lock Out / Tag Out.
- Five primary taps for providing a 230 volt secondary
- Line filter
- EMO circuit and output connector
- Power / Voltage / Current Meter
- Steel casters and/or leveling feet
- Seismic tie down hardware
- Chassis ground stud provided.

## Specifications

AC input voltage	200, 208, 220, 230 or 240 VAC <sub>L-N</sub> 1 $\Phi$
Input current max.	23 Amps at 200 VAC <sub>L-N</sub>
Input connector	IEC 60309, 30 amp inlet. Optional inlet styles available. Power cord option available.
Input circuit breaker	30 amps, 30 k AIC
Output power	4.6 kVA.
Output connector	IEC 60309, 20 amp outlet. Optional outlet styles available and additional outlets may be added.
Output circuit breaker	20 amps
Cooling	Convection
Operating Temperature	0° to 40°C
Storage Temperature	- 10° to 60°C
Power Meter Accuracy	+/- 2% typical. The power meter is an optional feature.
Size	26" high 12" wide 20" long
Weight	135 lbs. Weight can vary based on options.

*Note: All specifications are subject to change.*

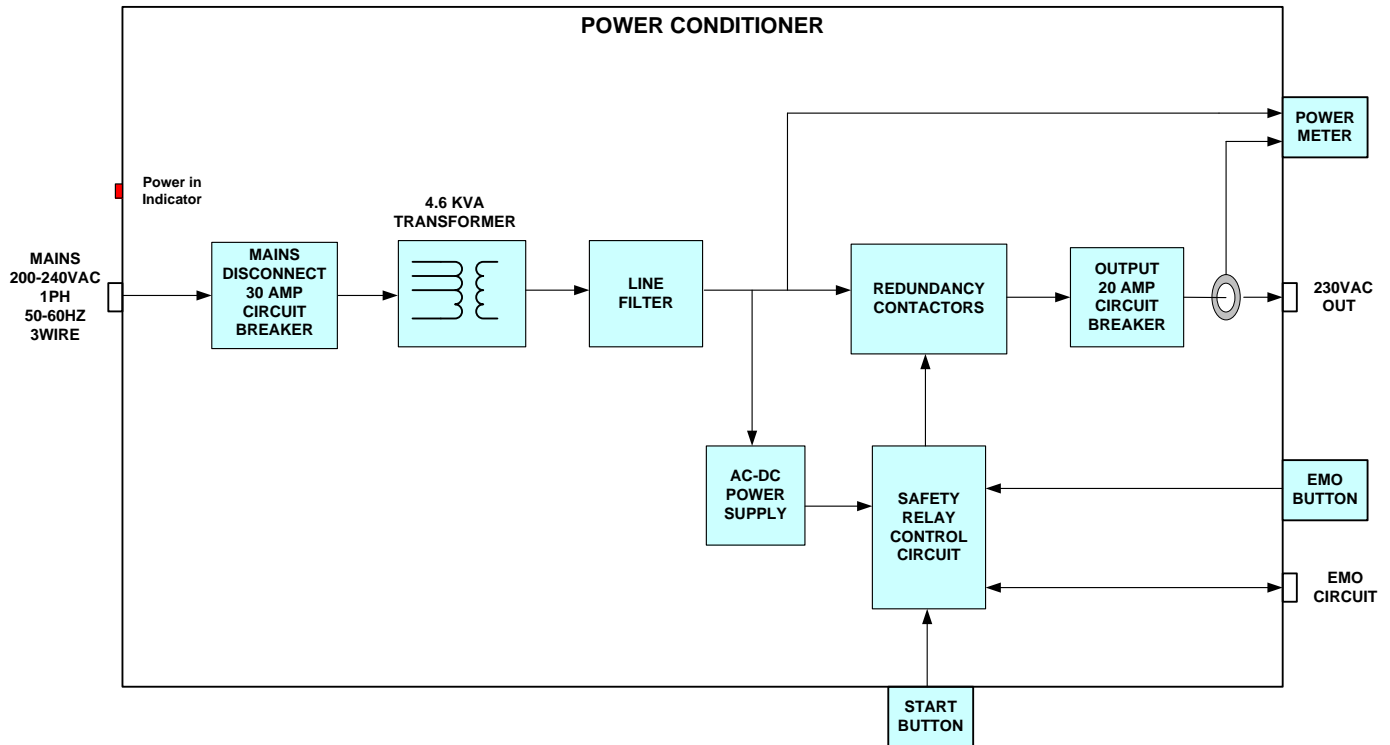
The PT-20 is designed with compliance in mind for IEC 60204-1, NFPA 79, ISO 13849-1 and some SEMI Guidelines. Power Development Solutions can work with you to solve your regulatory needs.

## Power Development Solutions, LLC

5285 NE Elam Young Parkway, Suite B800 Hillsboro, Oregon 97124  
Phone: (503) 799-1784 pds-design.com

# Model PT-20A Power Conditioner

## Typical Block Diagram



Many optional design features are available. Customized enclosure design and control panel layout is possible. Your company name and logo can be added. A non-recurring engineering (NRE) cost may apply.

Power Development Solutions offers other power conditioner and power monitor products.

**Contact Power Development Solutions for details.**

**Power Development Solutions, LLC**

5285 NE Elam Young Parkway, Suite B800 Hillsboro, Oregon 97124  
Phone: (503) 799-1784 pds-design.com